

67722 Series Dual Port RJ45 8P LED Side Entry Shielded

General specifications

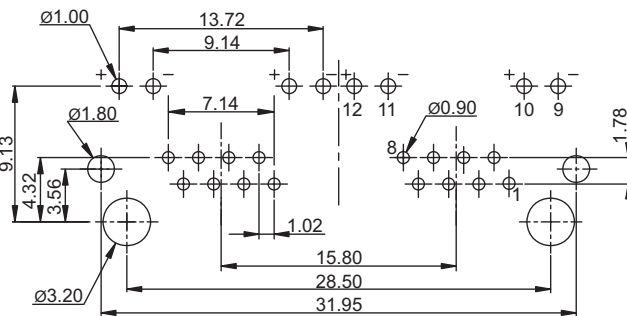
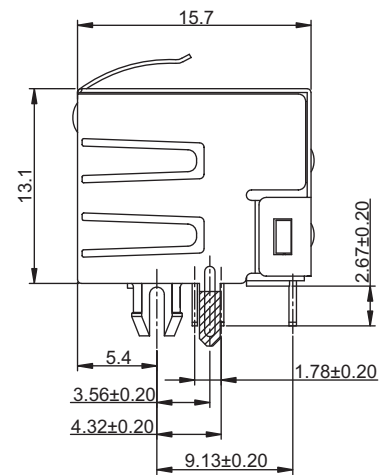
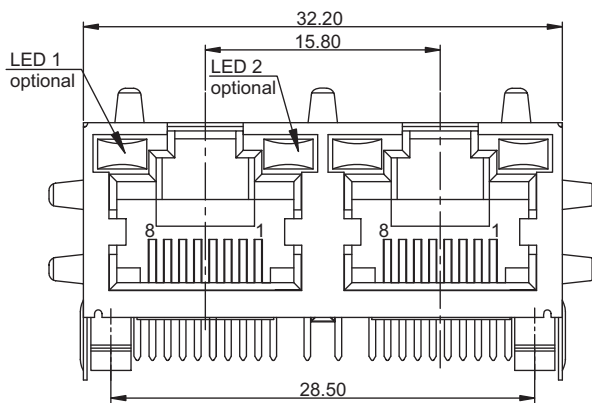
Insulator material	Polyester w/ glass fiber, UL94V-0
Contact material	Phosphor bronze, plating: gold over nickel
Current / voltage rating	1.5 A / 125 VAC
Contact resistance	30 mΩ max
Insulator resistance	1000 MΩ min.
Dielectrical withstanding	1000 VAC for 1 min
Durability	750 cycles
Operation temperature	-40 °C to +85 °C
LED Rating	Forward 2.2 V / reverse 5 V
Soldering	Lead free wave soldering process

Mating parts series

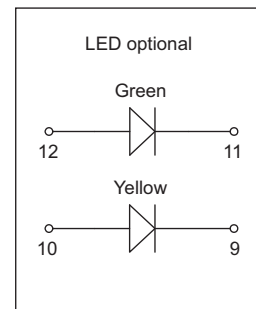


Mechanical dimensions

Unit: mm



Recommended P.C.B. layout



Tolerances		
Linear	X.	± 0.20
	.X	± 0.15
	.XX	± 0.10

Part numbering guide

67722	C	G	Y	0
Series	Contact plating C = 3 μ" gold K = 50 μ" gold D = 6 μ" gold F = 15 μ" gold J = 30 μ" gold	Color LED1 N = w/o LED D = Green/yellow G = Green O = Orange	Color LED2 R = Red Y = Yellow	Ground spring 0 = w/o spring 1 = Top spring 2 = Side spring 3 = Top and side spring

* standard

