

# 3890 Series

# USB Male Plug Type A for Cable Solder Version

## General specifications

Insulator material	High temperature thermoplastic, UL94V-0
Contact material	Copper alloy
Current rating	1 A
Contact resistance	30 mΩ max.
Insulator resistance	1000 MΩ min.
Dielectrical withstanding	750 VAC for 1 min
Operating temperature	-55 °C to +85 °C
<b>Mating parts series</b>	

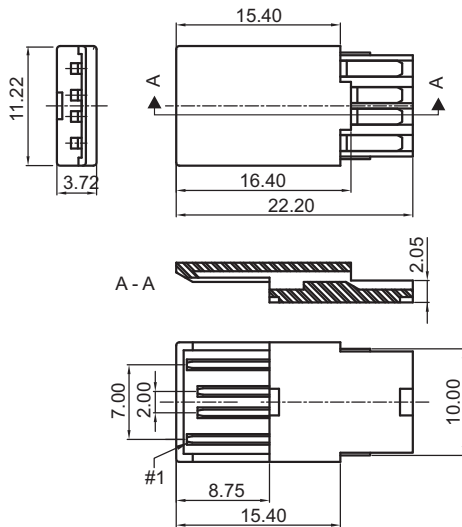


RoHS  
compliant

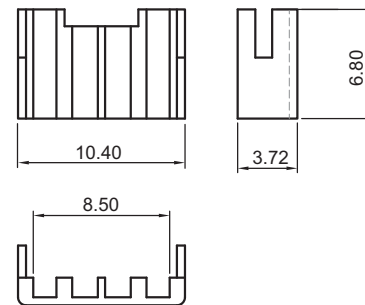
## Mechanical dimensions

Unit: mm

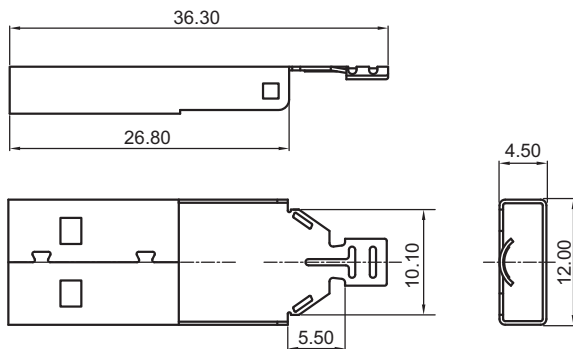
### Housing w/ terminal



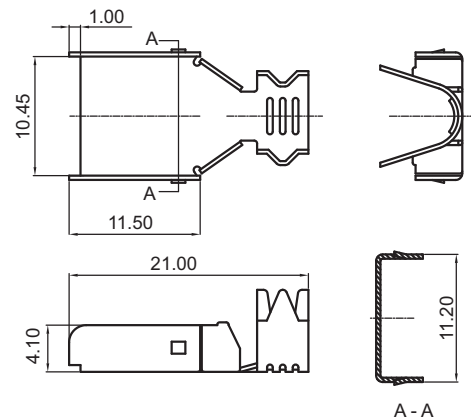
### Cover



### Front shell



### Rear shell



A - A

### Tolerances

Linear	X	± 0.20
	XX	± 0.13
	XXX	± 0.05

## Part numbering guide

<b>3890 M</b>	<b>J</b>	<b>0</b>	<b>B</b>	<b>0</b>
Series M = Male plug	Contact plating J = 30 μ" gold	Cover 0 = w/o plastic hood 1 = w/ plastic hood	Color B = Black W = White	Packing 0 = Bulk

\* standard

