

# 2202 Series

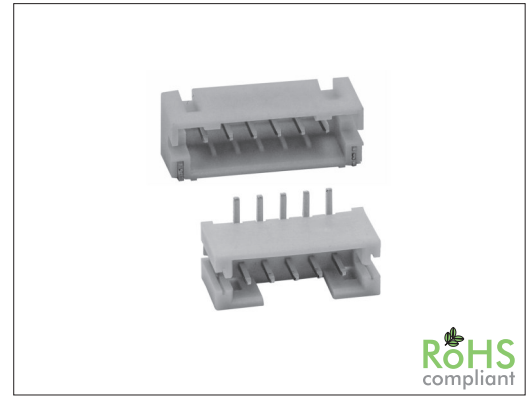
# 2.00 mm PH SMT Pin Header

## General specifications

Insulator material	Nylon 6T, UL94V-0, color: natural
Contact material	Brass
Current rating	2 A
Voltage rating	100 V AC/DC
Contact resistance	10 mΩ max.
Insulator resistance	1000 MΩ min.
Dielectrical withstanding	800 VAC for 1 min
Operating temperature	-25 °C to +85 °C
Soldering	JEDEC lead free reflow soldering process

## Mating parts series

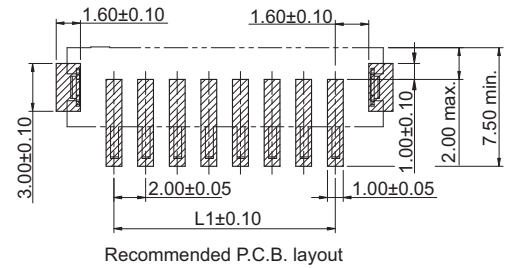
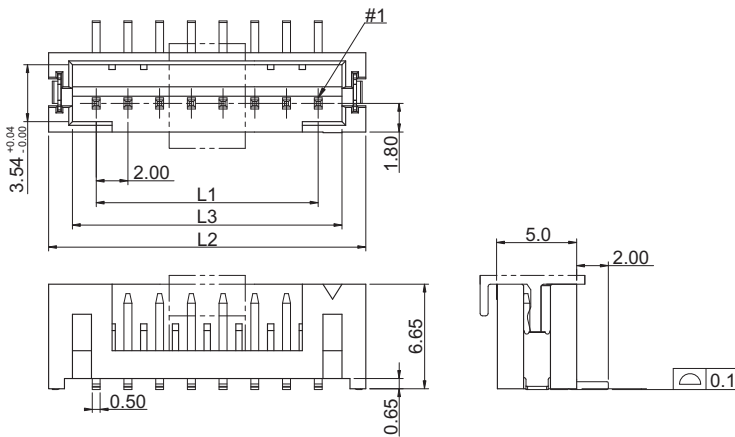
2202-PT or cable assembly



## Mechanical dimensions

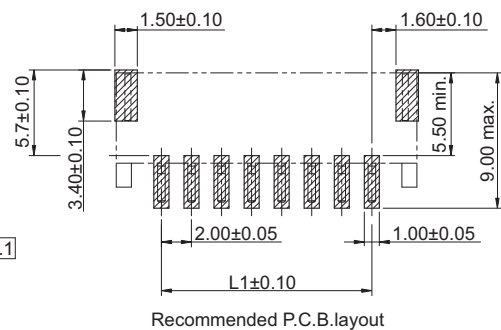
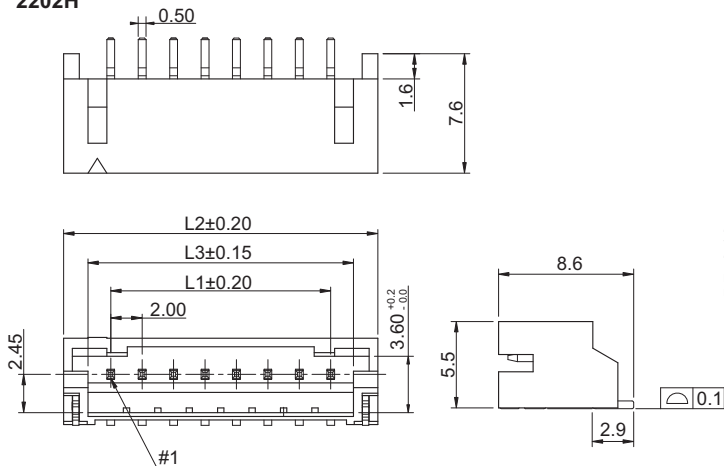
Unit: mm

### 2202V



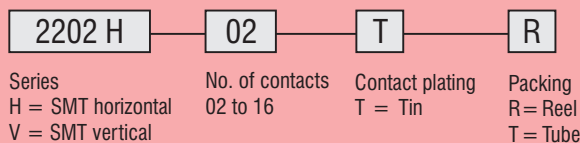
L1 = No. of contacts x 2.00 - 2.00  
 L2 = L1 + 6.0  
 L3 = L1 + 3.0

### 2202H



Tolerances		
Linear	X	± 0.30
	.XX	± 0.20
	.XXX	± 0.10

## Part numbering guide



\* standard

