

2350 Series

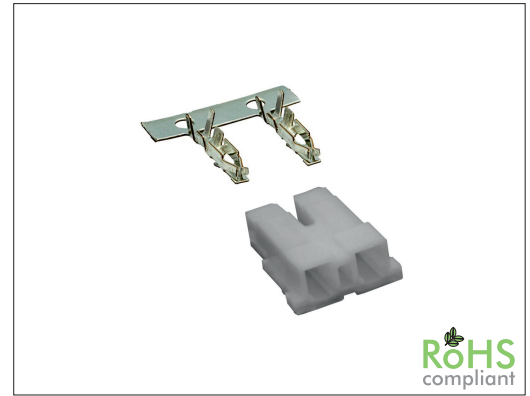
3.50 mm Housing and Terminal High Voltage

General specifications

Insulator material	Nylon 66, UL94V-0, color: nature
Contact material	Phosphor bronze, plating: tin
Current rating	1 A
Voltage rating	1400 V AC/DC
Contact resistance	10 mΩ max.
Insulator resistance	1000 MΩ min.
Dielectrical withstanding	3800 VAC for 1 min
Operating temperature	-25 °C to +85 °C
Wire range	AWG 22 to 28

Mating parts series

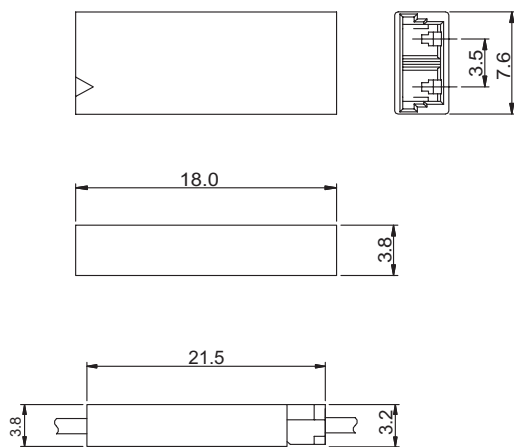
2350-M mates with 2350-P, 2350-P mates with 2350-M, 2350-HR, 2350-SR or cable assembly



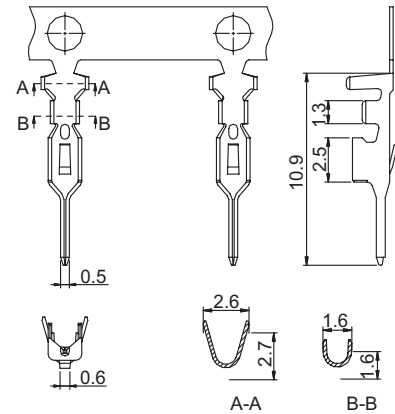
Mechanical dimensions

Unit: mm

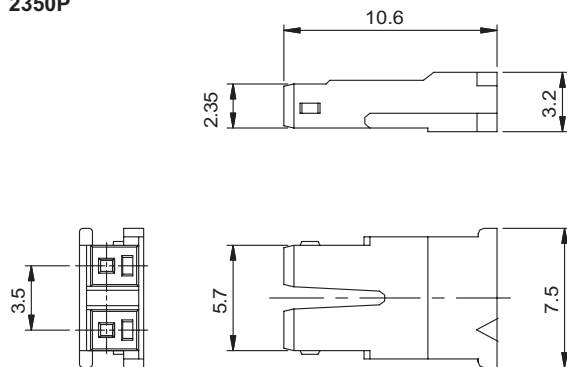
2350M



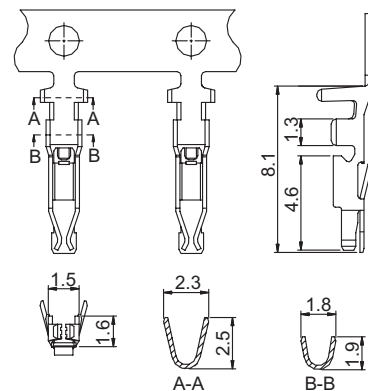
2350Z



2350P



2350T



Tolerances

Linear	.X	± 0.38
	.XX	± 0.25

Part numbering guide

2350 M

02

Series

M = Housing PL = Housing w/ latch
 Z = Terminal
 P = Housing
 T = Terminal

No. of contacts

02
 leave blank for terminal

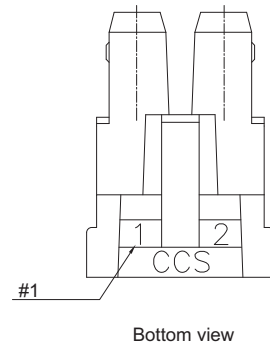
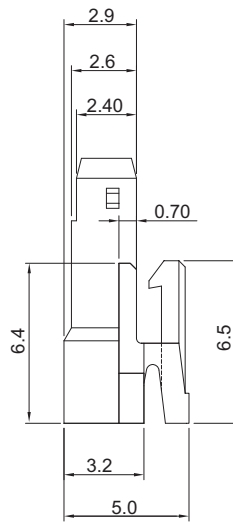
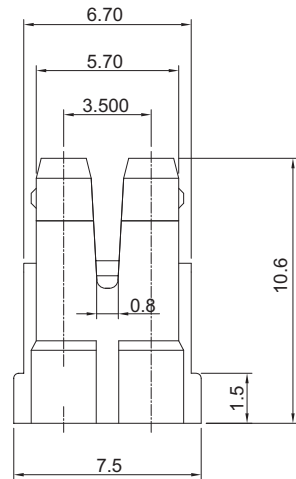
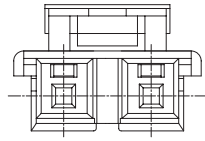
* standard



Mechanical dimensions

Unit: mm

2350PL



Tolerances		
Linear	.X	± 0.38
	.XX	± 0.25

