

Series 43680 6x RCA Jack / Cinch Top Entry

Material

Base, insulator: ABS
 Color washer: PBT + 15% glass fiber
 Contact break / needle: H65 Brass / QSn 6.5-0.1

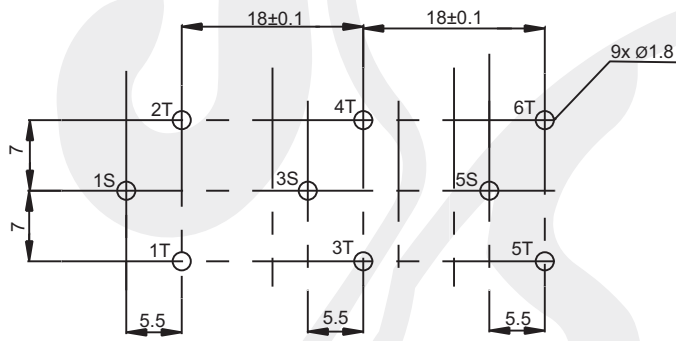
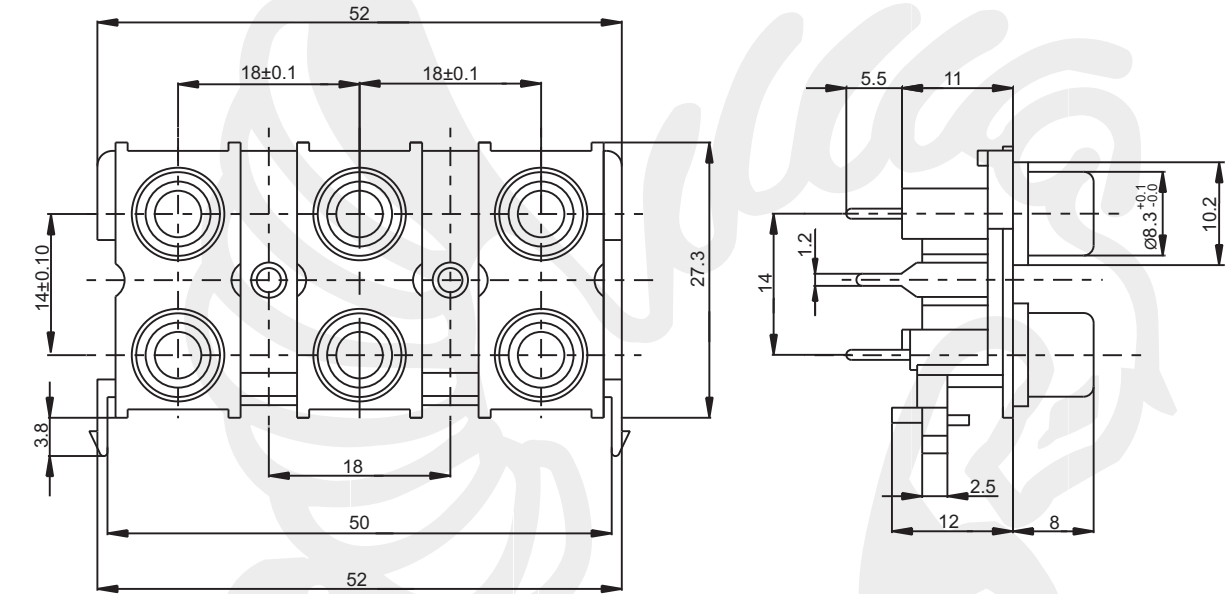
43680Z



Electrical

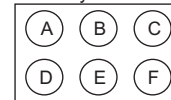
Rating: 0.2 Amp @ 50 VDC
 Contact resistance: 30 mΩ max.
 Insulator resistance: 100 MΩ min.
 Dielectrical withstanding: 500 VAC/minute
 Operating temperature: -40°C ~ +70°C
 Durability: 500 cycles

43680Z

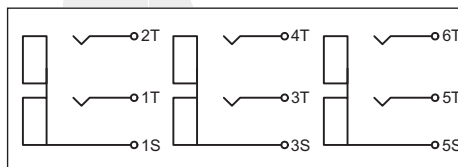


Recommended P.C.B. Layout

Color layout



Code	A D	B E	C F
01	green red	blue white	red black
02	green red	blue white	red orange
03	t.b.d. by customer		



Tolerances		
Linear	<6	± 0.1
	6~20	± 0.2
	>20	± 0.3



All dim. in mm

43680 Z — **01**

Series
43680Z

Color code
see table

Packing
Box